



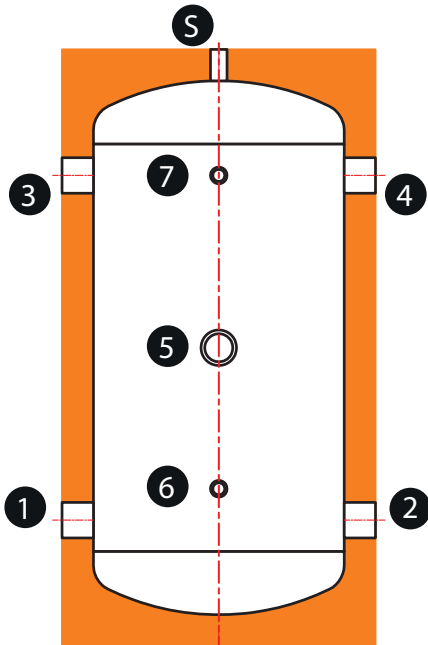
Buffer tank for heating and cooling water accumulation.



Thermal store	
Tank	Buffer tank 100 l hot/cold for heating and cooling
Material	Carbon steel
Internal treatment	Raw
Connections	Sensors, thermometers and electrical heating
Max. working pressure	6 bar
Max. working temperature	95 °C
Min. working temperature	-6°C
Insulation	
Insulation	Hard polyurethane 50mm (CFC-free)
External lining	PVC
Mounting possibilities	
Floor installation	
Wall installation vertical	wall bracket set needed
Wall installation horizontal	wall bracket set needed

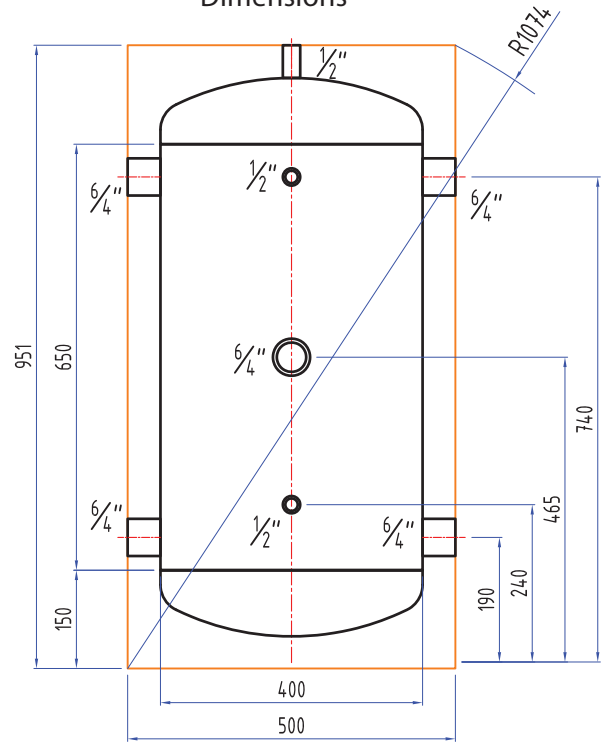
Model	Efficiency Class (UE 812/2013)	Dispersion (W)	Volume (L)	Weight (kg)
WP 100	B	41	101	27

### Connections

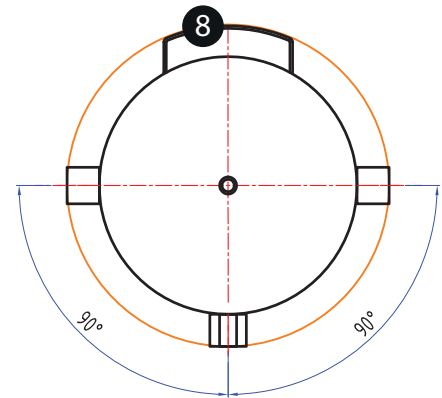
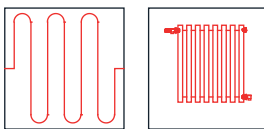


Legende		
1	Socket	1 1/2"
2	Socket	1 1/2"
3	Socket	1 1/2"
4	Socket	1 1/2"
5	Socket for immersion heater	1 1/2"
6	Socket for sensor	1/2"
7	Socket for thermometer	1/2"
8	Socket for air vent	1/2"
8 Predisposition wall bracket		

### Dimensions



Wall bracket optional



### Application diagramm

